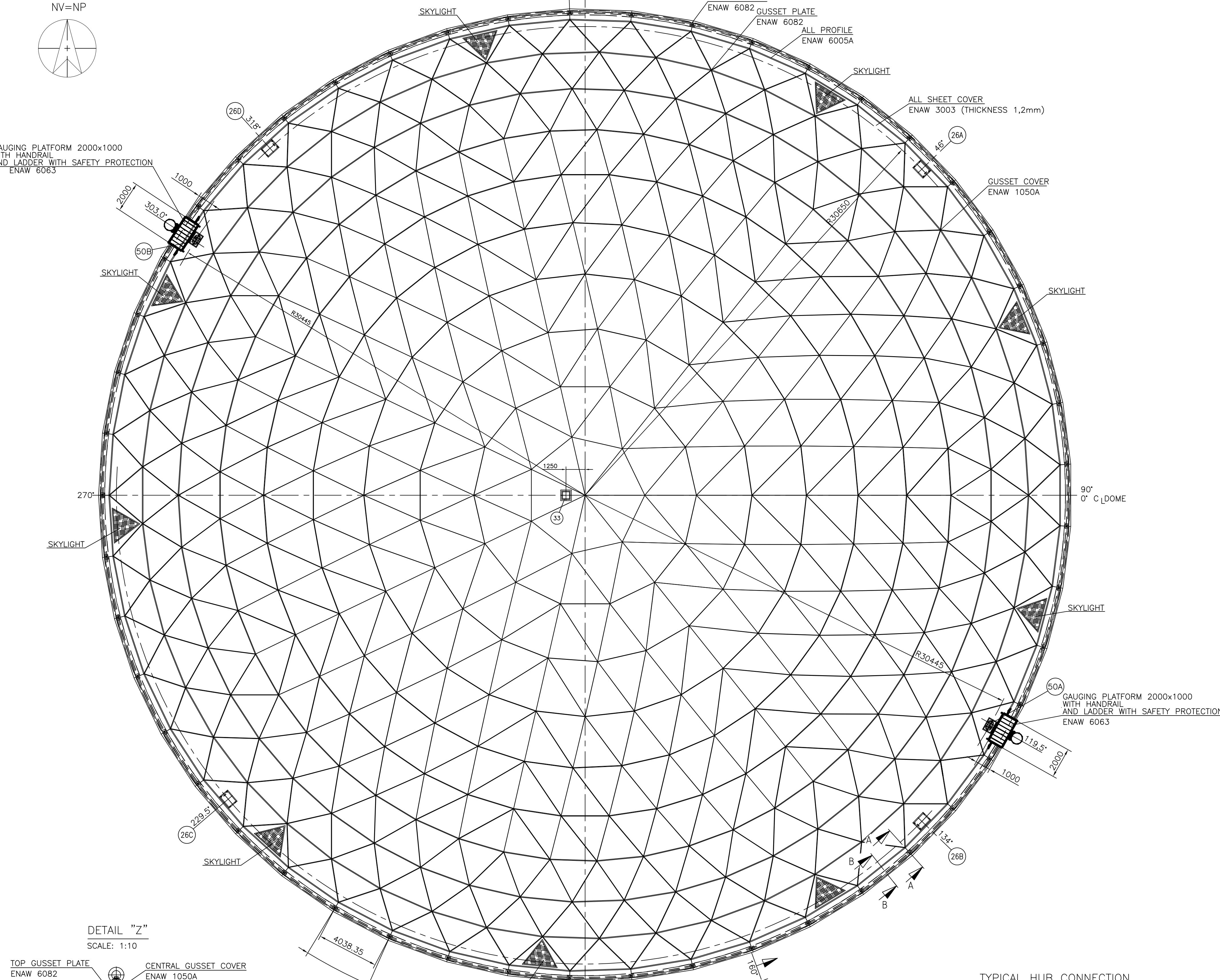
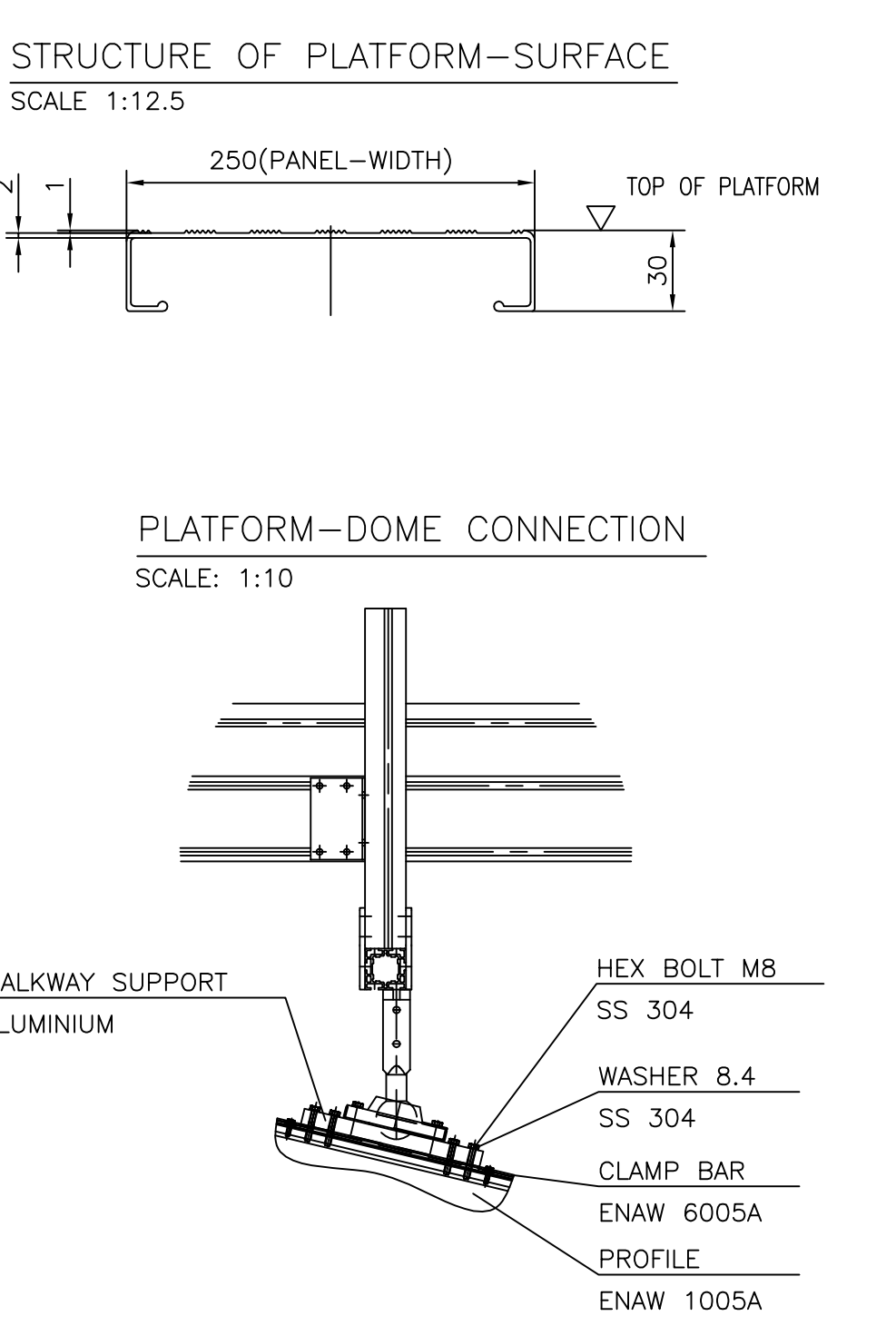
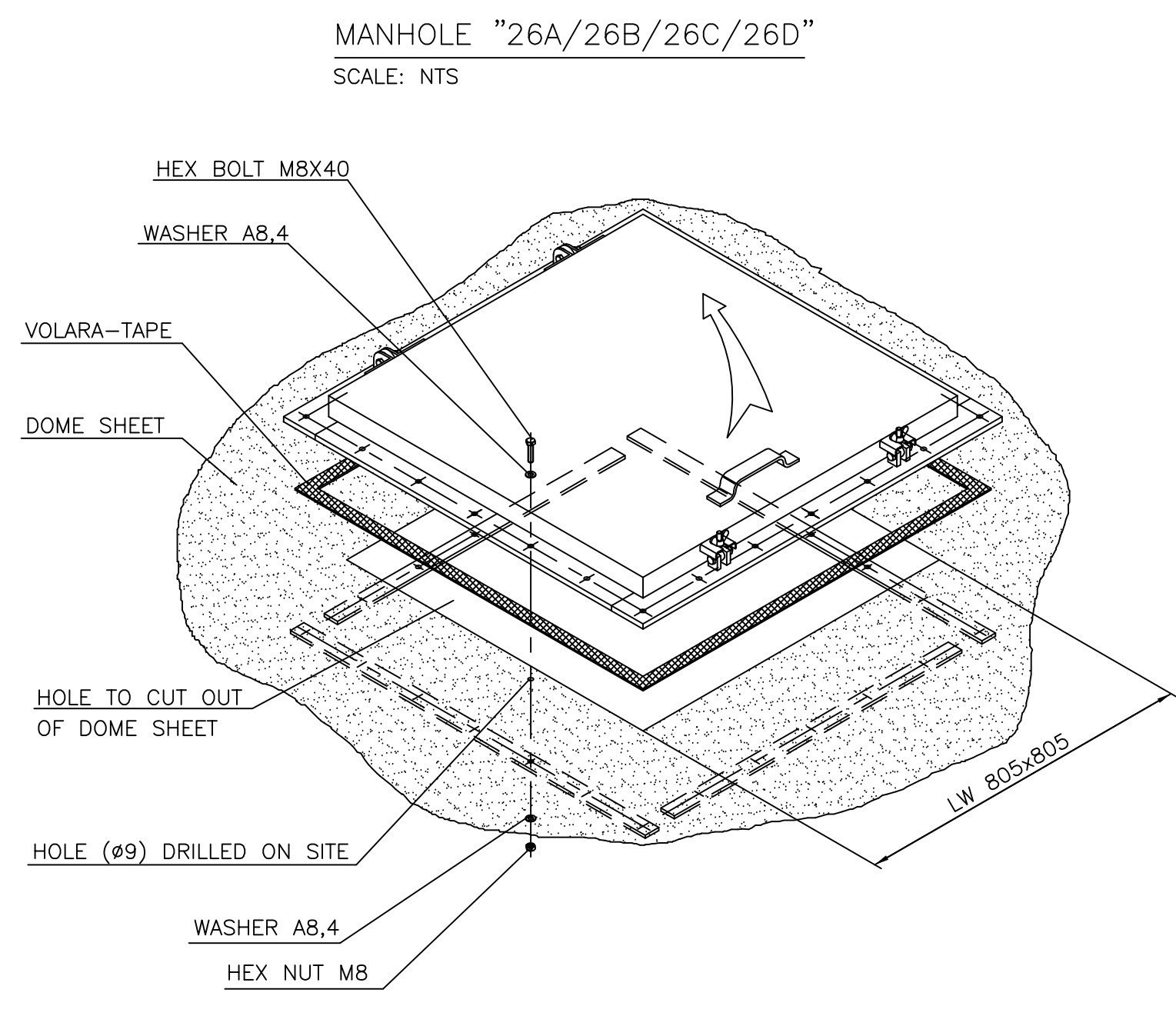
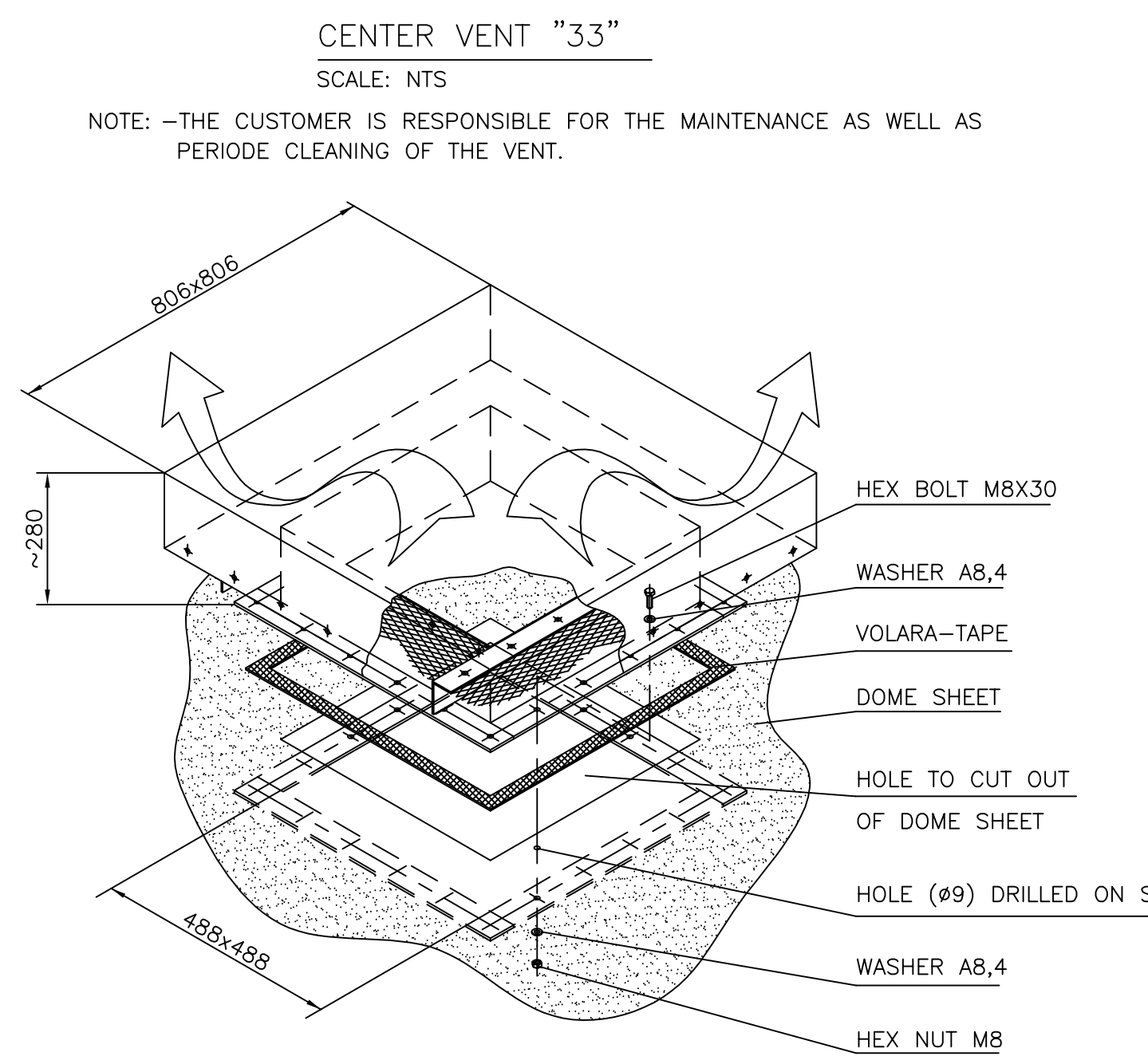
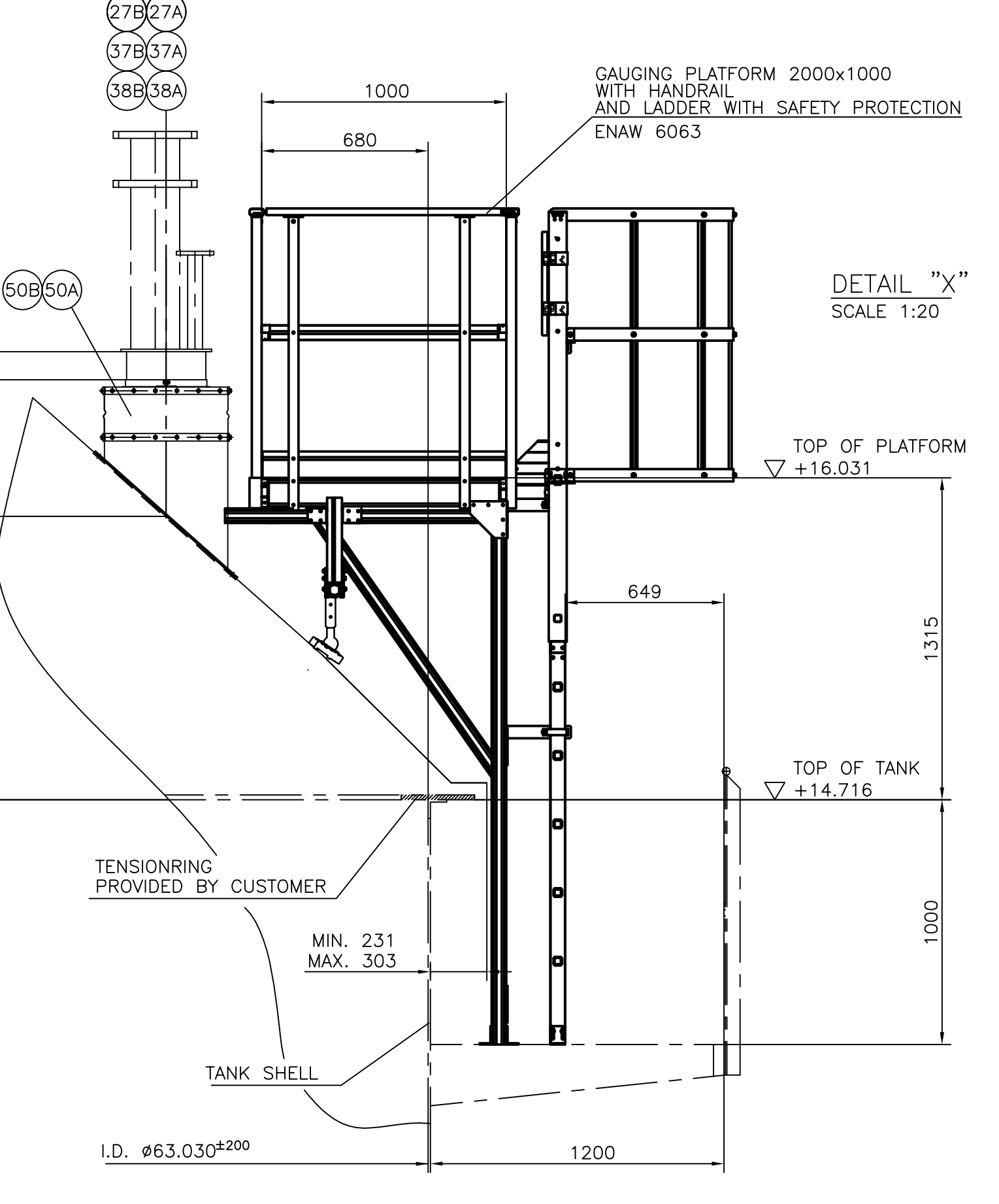
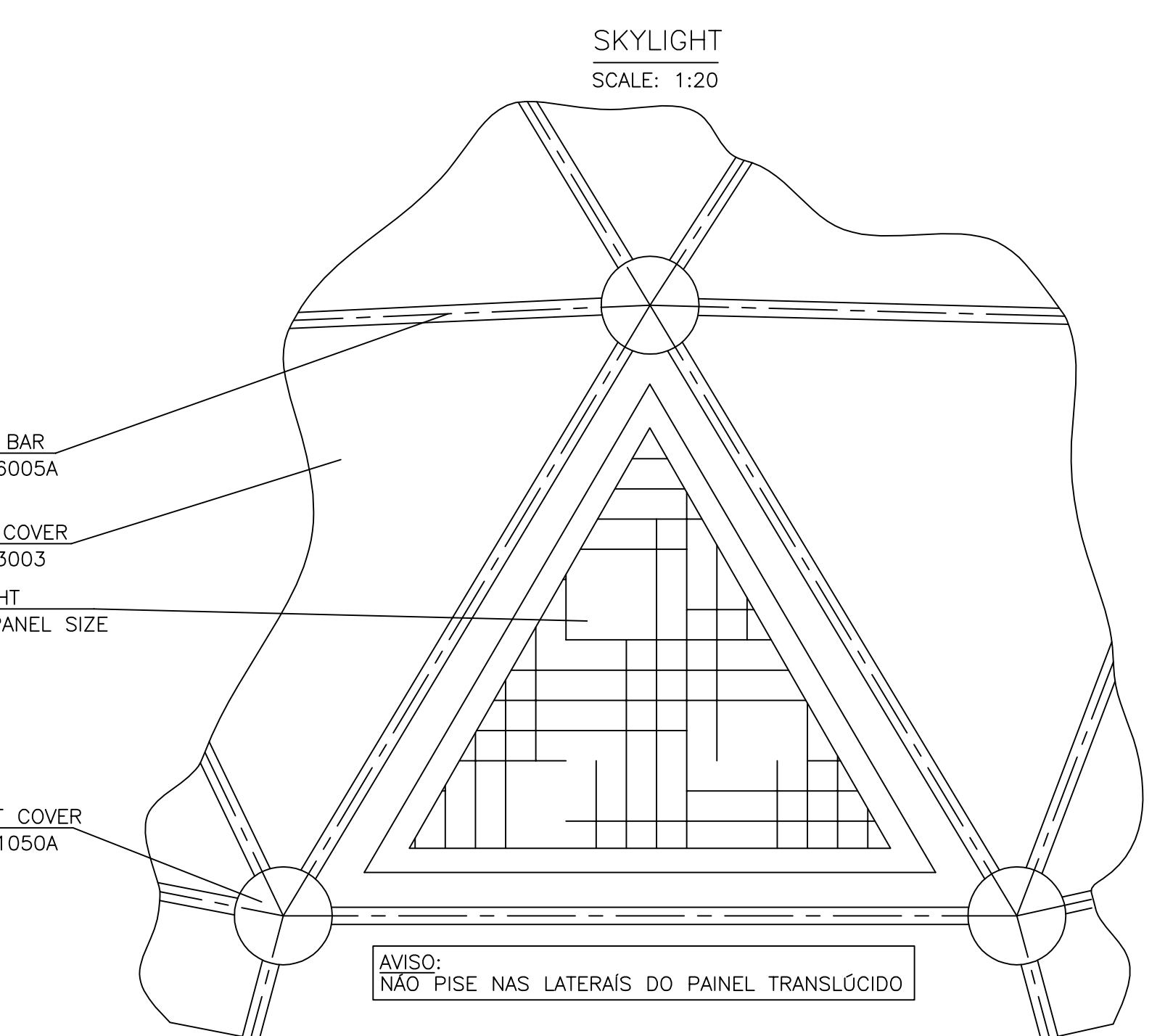
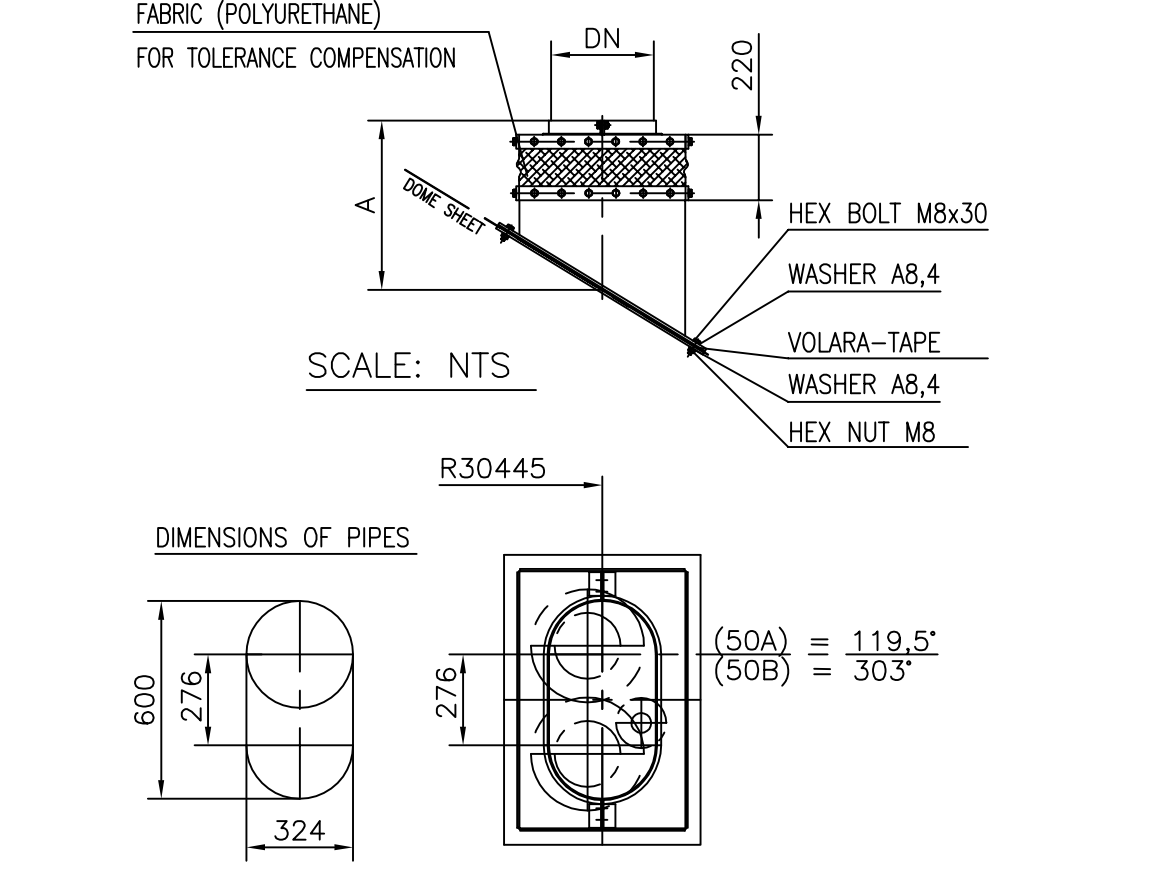


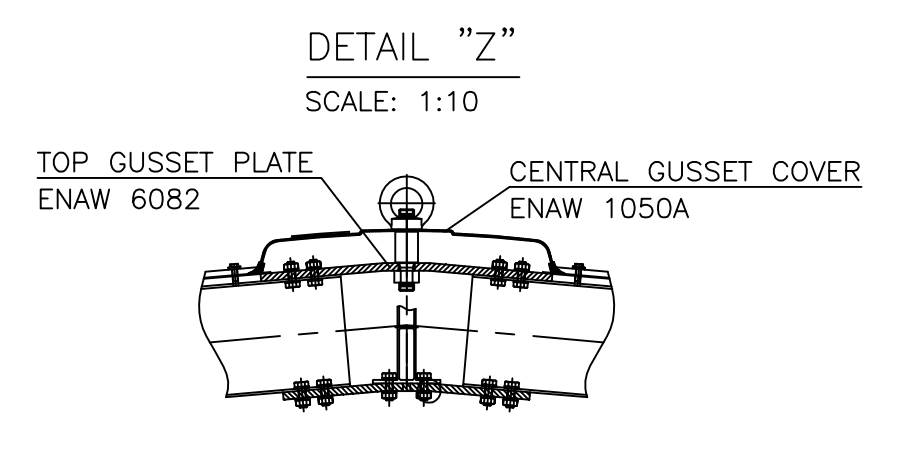
FOR THE ORIENTATION OF NOZZLES AND OTHER ACCESSORIES ONLY THE TOP VIEW IS DECISIVE.



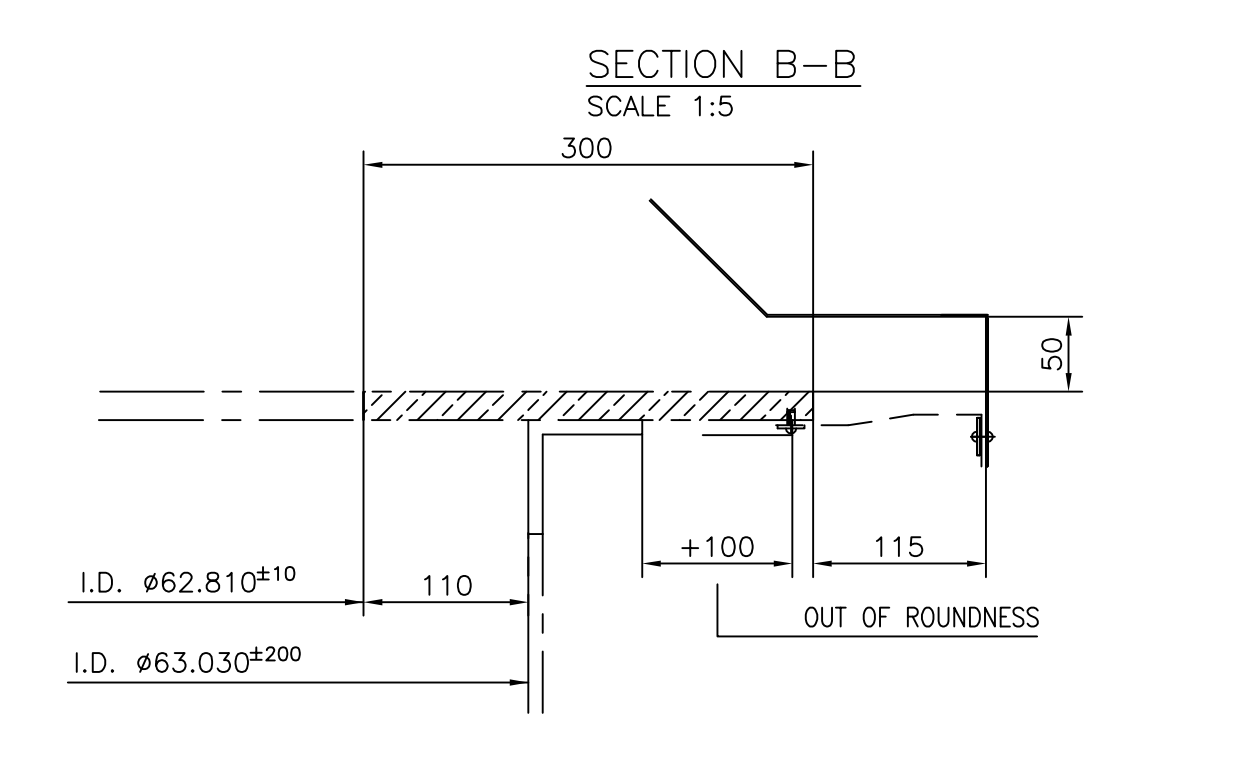
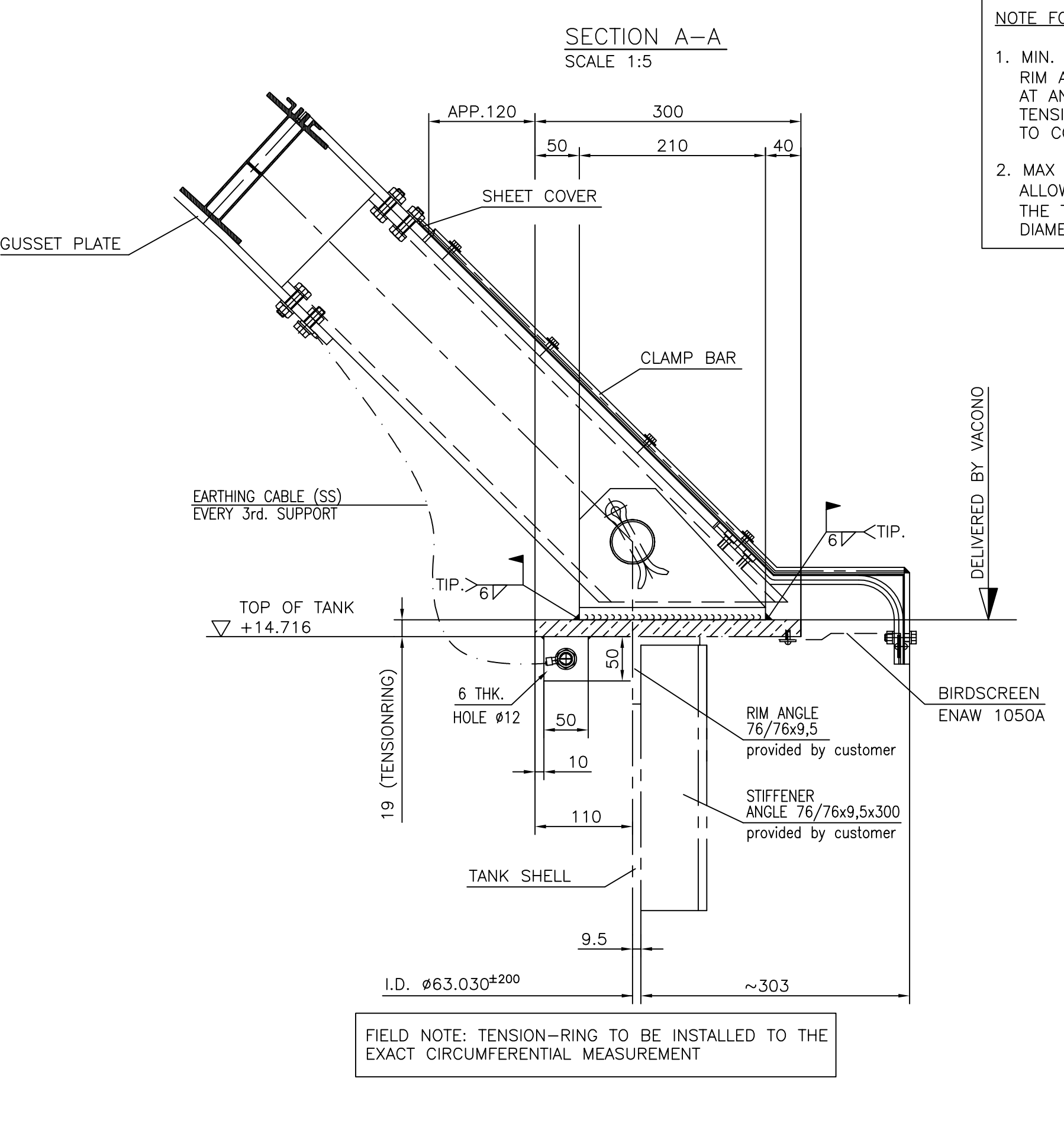
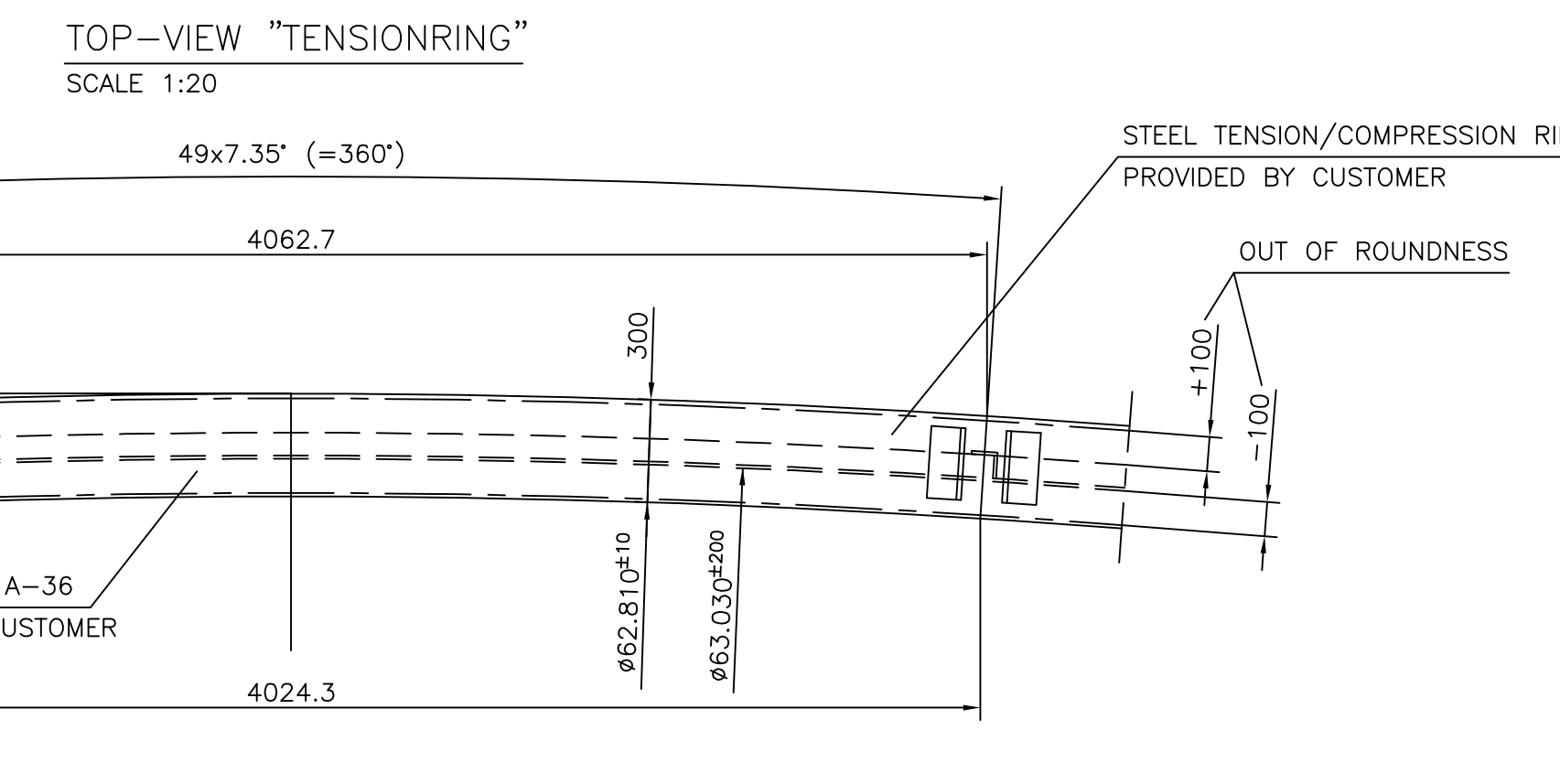
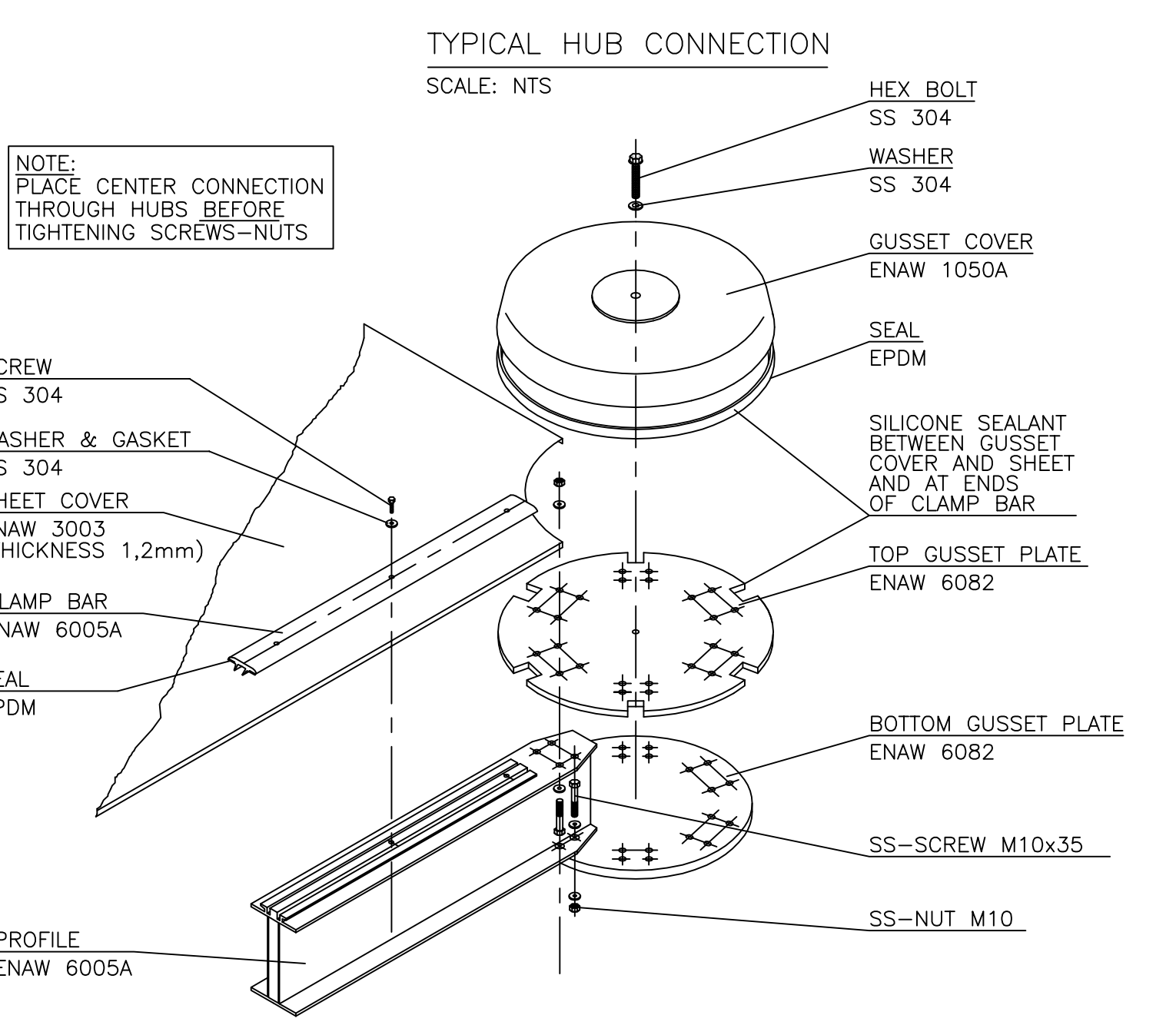
| ROOF APPURTENANCES |          |      |               |                             |
|--------------------|----------|------|---------------|-----------------------------|
| NOZZLE MARK        | SIZE     | QTY. | DIMENSION "A" | DESCRIPTION                 |
| 50A                | 12"-276" | 1    | APP. 558      | NEGOTIATION DEVICE FOR PIPE |
| 50B                | 12"-276" | 1    | APP. 558      | NEGOTIATION DEVICE FOR PIPE |



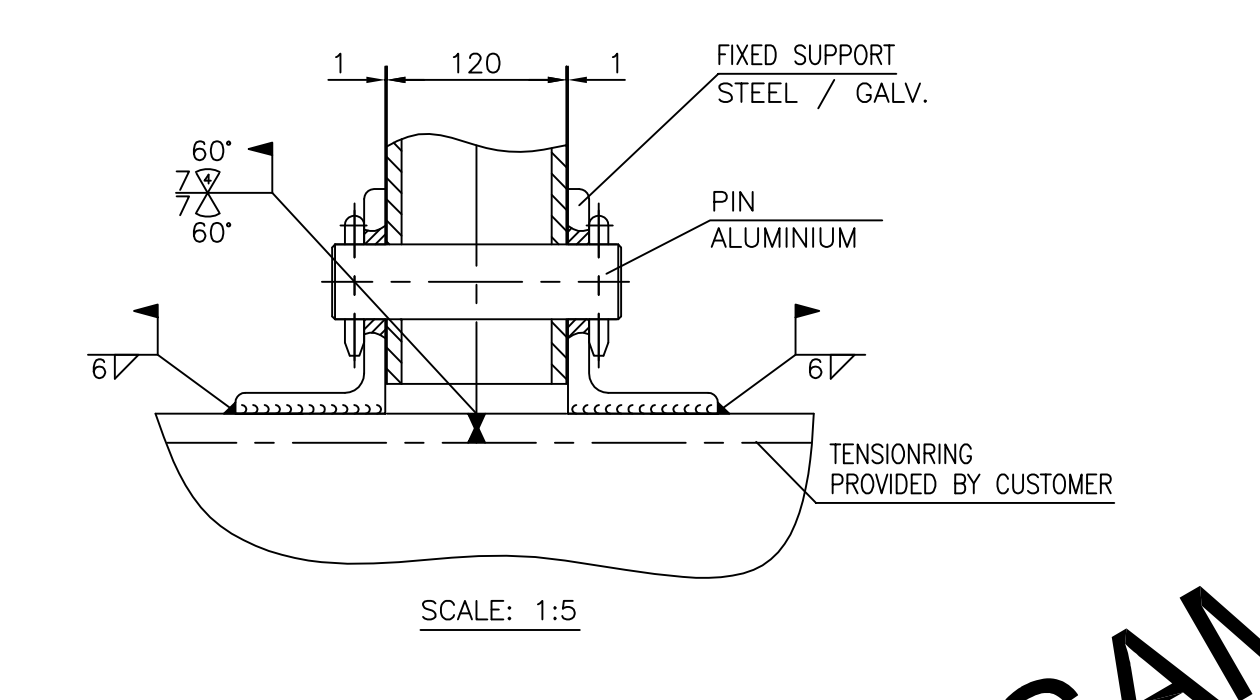
VACONO Aluminium Covers GmbH  
CERTIFIED DOCUMENT



TOP-VIEW "DOME"  
TANK-NO.: TQ-69001  
SCALE: 1:140



NOTE FOR INSTALL THE TENSION-RING (FREE VENTED):  
1. MIN. 50MM BETWEEN TANK (TENSION-RING, RIM ANGLE ETC) AND DOME FLASHING TO BE KEPT AT ANY POINT OF THE CIRCUMFERENCE.  
TENSION-RING TO BE POSITIONED ACCORDINGLY TO COMPENSATE FOR TANK OUT OF ROUNDNESS.  
2. MAX 110MM TENSION-RING OVERHANG INSIDE TANK ALLOWED (ESPECIALLY IF DOME IS LIFTED FROM INSIDE THE TANK) AT SUPPORT, BASED ON NOMINAL DIAMETER Ø63.030mm.



STIFFENER (49 PCS.)  
ANGLE 76/76x5.300  
PROVIDED BY CUSTOMER

FIELD NOTE: TENSION-RING TO BE INSTALLED TO THE EXACT CIRCUMFERENTIAL MEASUREMENT

**SAMPLE DRAWING**

**VACONO DOME**  
Friedrichstr. 50  
D-79618 Rheinfelden  
Tel.: +49(0)7623 71786-0  
Fax.: +49(0)7623 71786-71  
VACONO Aluminium Covers GmbH

| Massa ohne Toleranz (unabhängig Dimension) | CAD-Konstruktion | Revisions | Bezeichnung / Description | Datum      | Name |
|--|------------------|-----------|---------------------------|------------|------|
| Über 10 216 mm                             | Über 10 216 mm   | 1:100     | GENERAL ASSEMBLY DRAWING  | 11.02.2011 | Rack |
| Über 10 216 mm                             | Über 10 216 mm   | 1:100     | DOME Ø63.030mm            | 11.02.2011 | GS   |
| Über 10 216 mm                             | Über 10 216 mm   | 1:100     | TANK-NO.: TQ-69001        | 11.02.2011 | GS   |

Issue: 11.02.2011  
Drawn: Rack  
Checked: GS  
Scale: 1:100  
Proj. No.: TQ-69001  
Rev. No.: 01  
Date: 11.02.2011  
Page: 1 of 1  
A0 XXXXX-01-00